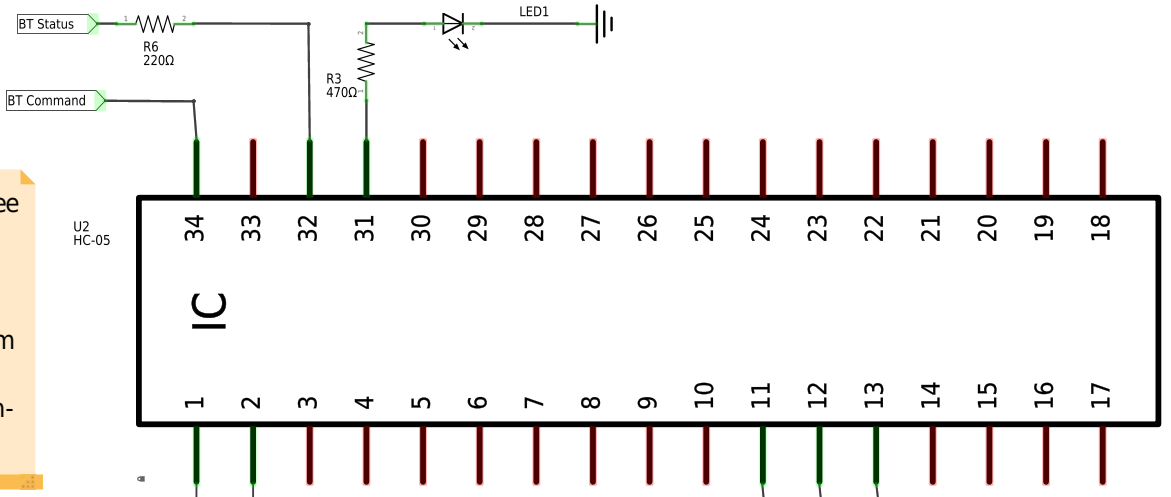
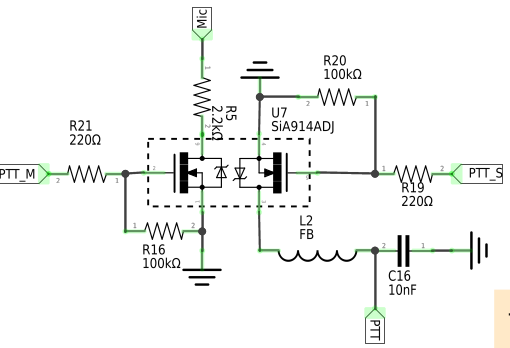
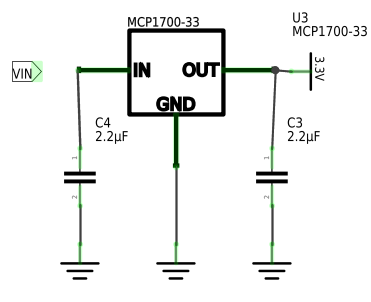


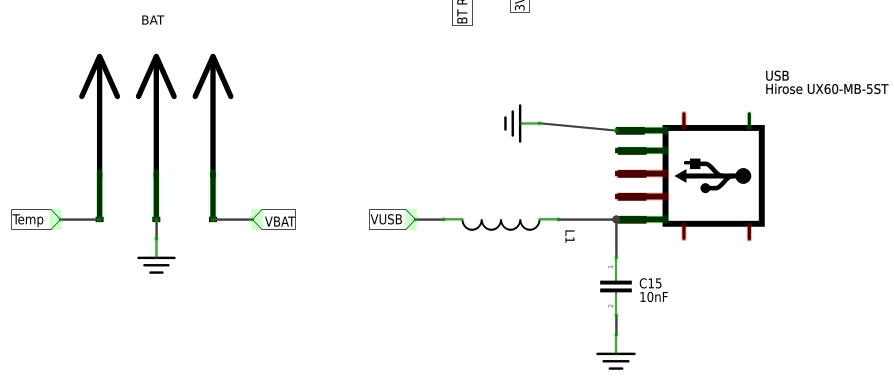
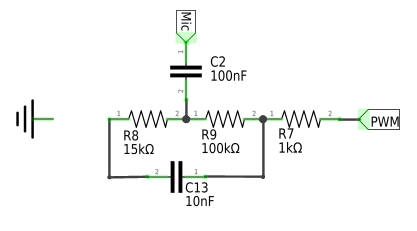
Bluetooth adapter. See Instructables:  
<http://www.instructables.com/id/Cheap-2-Way-Bluetooth-Connection-Between-Arduino-a/>



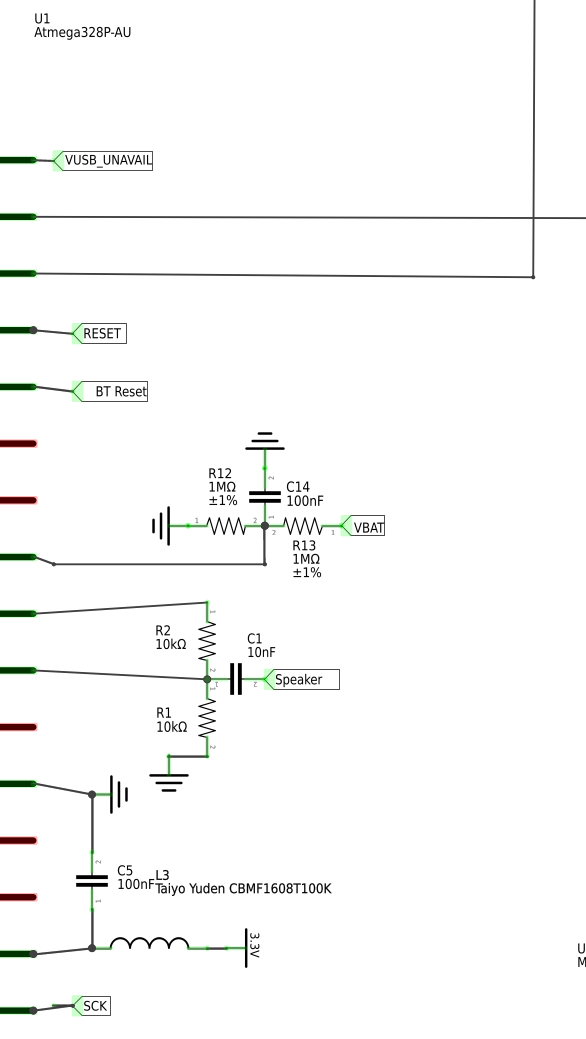
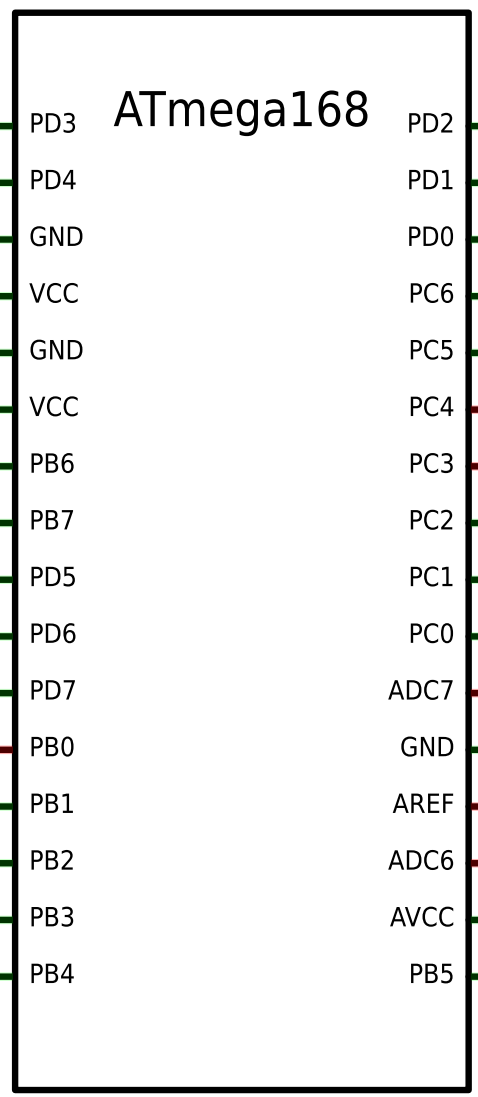
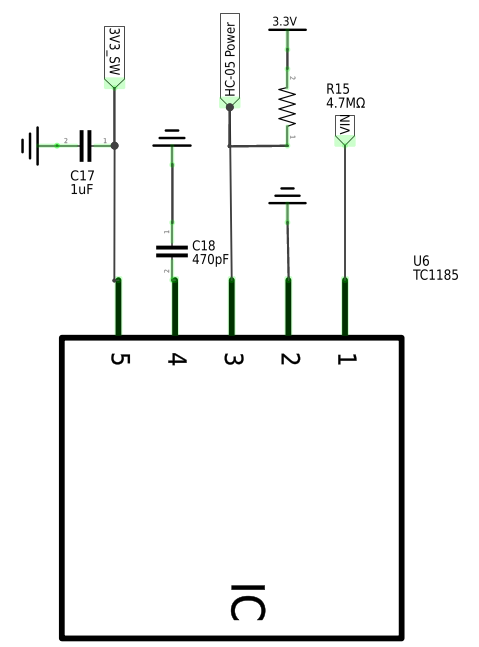
MCU Voltage Regulator



TNC initially based on BertOS APRS TNC and software from KI4MCW and G8ECJ  
<https://sites.google.com/site/ki4mcw/Home/arduino-tnc>  
 Very heavily modified.



Switched Bluetooth Voltage Regulator



Li-Ion/LiPo Charger and USB/Battery Power Switch  
<http://electronics.stackexchange.com/questions/36930/some-advice-on-charging-circuit-used-in-simple-ups/36938#36938>

